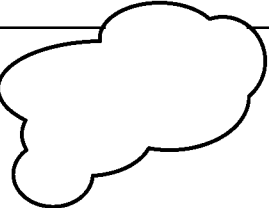
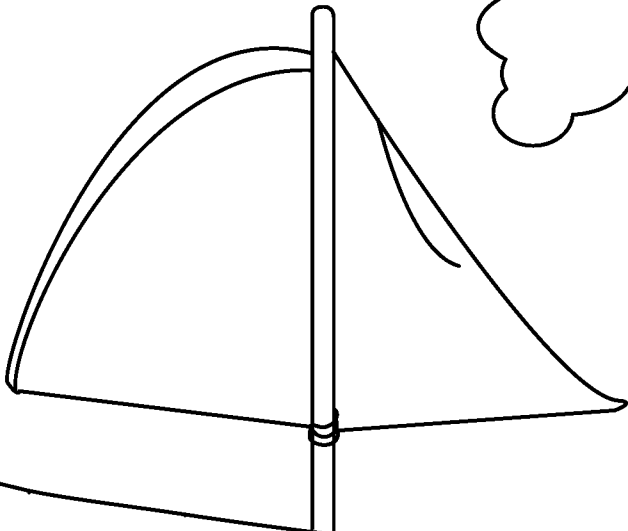




When Jesus saw James and John, He called to them. How did James and John respond?

Unscramble the letters to fill in the blanks.



“... _____ their
 _____ hety _____ lfet
 _____ Zebedee in the _____
 _____ rtfah _____ taob
 with the _____ and
 _____ eihrd _____ nme
 _____ dellowfo _____ mHi.”

Ages 7+

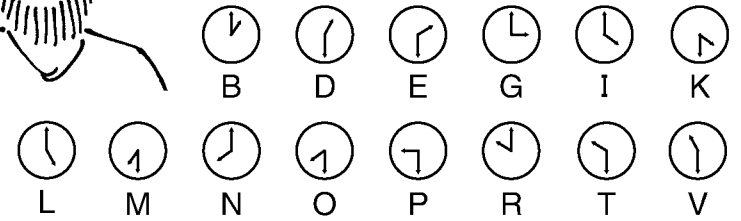
January 24, 2021 • Mark 1:14-20

Jesus Calls Simon, Andrew, James and John

Jesus went into Galilee and preached. What did He say?



Use the clock code to fill in the blanks.



“The _____ has come,”



Jesus said. “The _____



of God is near.



and _____

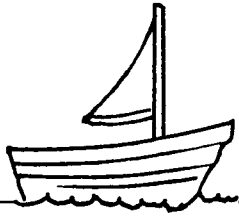


the _____ news!”



101 Randolph St.
 Thomasville, NC 27360
 www.mumctville.org

Jesus saw Simon and Andrew fishing.
What did He say to them?



Use this code to fill in the blanks.

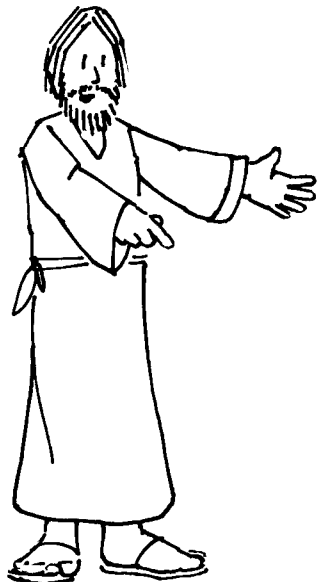
A	B	C	D	E	F	G	H	I	J	K	L	M	N
Z	Y	X	W	V	U	T	S	R	Q	P	O	N	M
O	P	Q	R	S	T	U	V	W	X	Y	Z		
L	K	J	I	H	G	F	E	D	C	B	A		

“ X L N V , U L O O L D

N V , Q V H F H

H Z R W , Z M W R

D R O O H V M W B L F



L F G G L

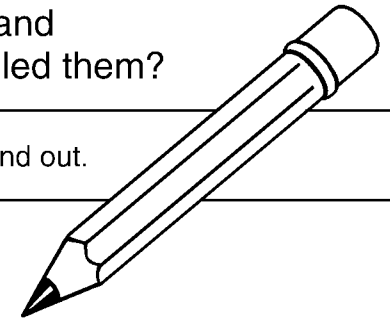
U R H S

U L I

K V L K O V .”

What did Andrew and
Simon do once Jesus called them?

Add and subtract letters to find out.



1. ARE - RE + T = _____

2. OPEN + NCE - PEN = _____

3. TABLE + FT - TAB = _____

4. NOSE + ET - OSE + S = _____

5. FISH + HOLLOW - ISHH + ED = _____

1) _____ 2) _____

they 3) _____

their 4) _____ and

5) _____

Him.

